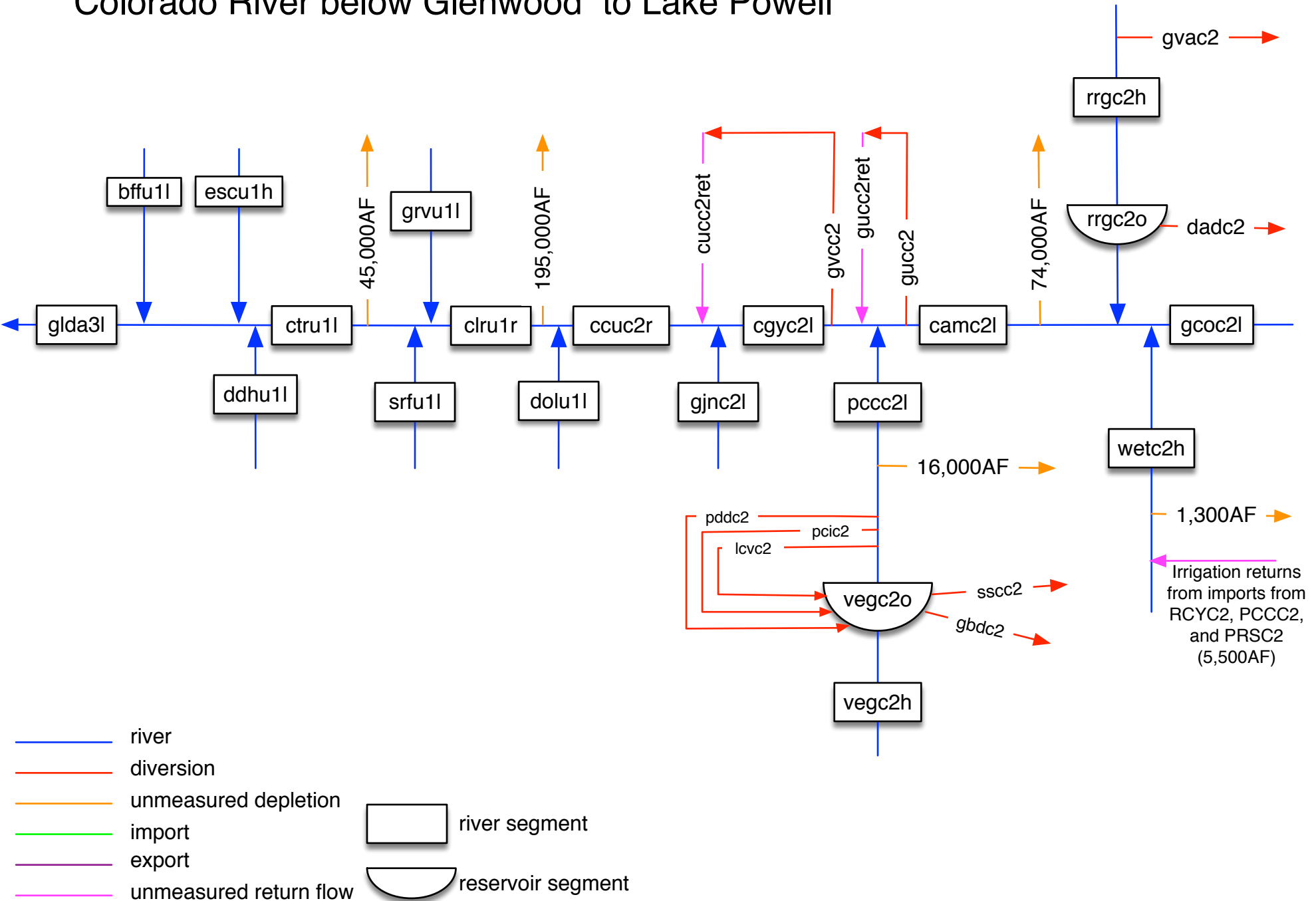


Colorado River below Glenwood to Lake Powell



BFFU1 SAN JUAN - BLUFF, NR
CAMC2 COLORADO - CAMEO, NR
CCUC2 COLORADO - CO-UT STATE LINE, NR
CGYC2 COLORADO - GRAND VALLEY DIV, BLO, PALISADE, NR
CLRU1 COLORADO - CISCO, NR
CTRU1 COLORADO - CATARACT CANYON
DADC2 DAVIE DITCH
DDHU1 DIRTY DEVIL - POISON SPGS, ABV, HANKSVILLE, NR
DOLU1 DOLORES - CISCO, NR
ESCU1 ESCALANTE - ESCALANTE, NR
GBDC2 GALBRAITH DITCH DIVERSION
GCOC2 COLORADO - GLENWOOD SPRINGS, BLO
GJNC2 GUNNISON - GRAND JUNCTION, NR
GLDA3 COLORADO - LAKE POWELL, GLEN CYN DAM, AT
GRVU1 GREEN - GREEN RIVER, UT
GVAC2 GRASS VALLEY CANAL
GUCC2 GOVERNMENT HIGHLINE CANAL
GVCC2 GRAND VALLEY CANAL
LCVC2 LEON CREEK CANAL DIVERSION
PCCC2 PLATEAU CK - CAMEO, NR
PCIC2 PARK CREEK CANAL DIVERSION
PDDC2 PARK DITCH DIVERSION
PRSC2 MUDDY CK - PAONIA RES, BARDINE, NR
RCYC2 CRYSTAL - REDSTONE, NR, AVALANCHE CK, ABV
RRGC2 RIFLE CK - RIFLE GAP RESERVOIR
SRFU1 SAN RAFAEL - GREEN RIVER, NR
SSCC2 SOUTHSIDE CANAL
VEGC2 PLATEAU CK - VEGA RES, COLLBRAN, NR
WETC2 WEST DIVIDE CK - RAVEN, NR