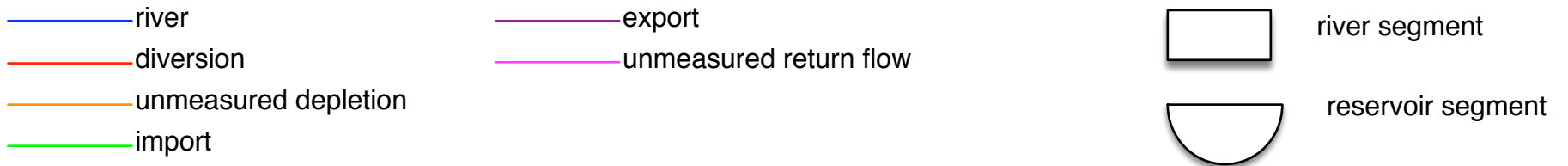
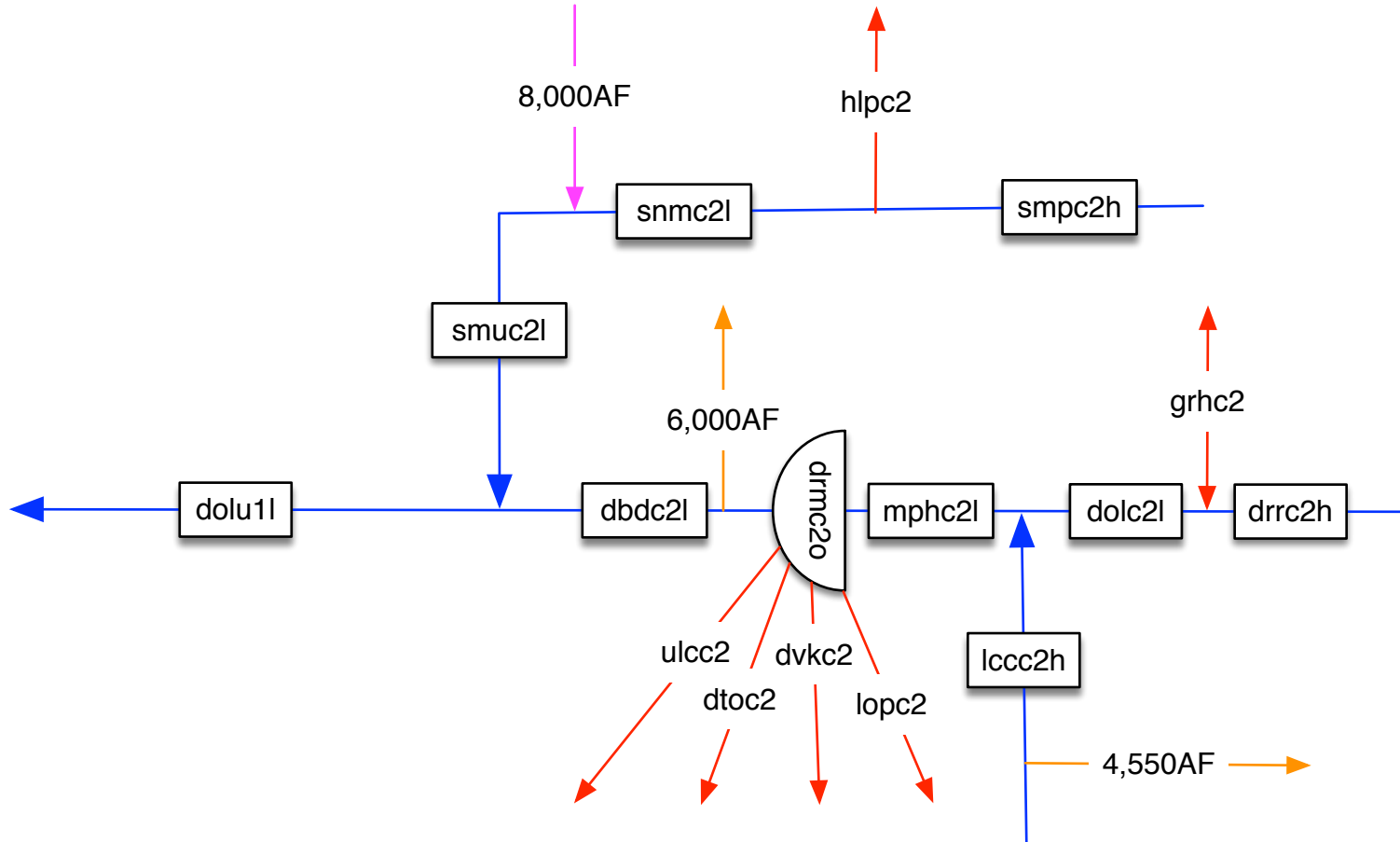


# Dolores River



DBDC2 DOLORES - BEDROCK, NR  
DOLC2 DOLORES - DOLORES  
DOLU1 DOLORES - CISCO, NR  
DRMC2 DOLORES - MCPHEE RES, BLO  
DRRC2 DOLORES - RICO, BLO  
DROC2 DOLORES TUNNEL OUTLET  
DVKC2 DOVE CREEK CANAL  
GRHC2 GROUNDHOG RESERVOIR  
HLPC2 HIGHLINE CANAL  
LCCC2 LOST CANYON CK - DOLORES, NR  
LOPC2 LONE PINE CANAL  
MPHC2 DOLORES - MCPHEE RES  
SMPC2 SAN MIGUEL - PLACERVILLE, NR  
SMUC2 SAN MIGUEL - URAVAN  
SNMC2 SAN MIGUEL - BROOKS BRIDGE, NUCLA, NR  
ULCC2 U LATERAL CANAL