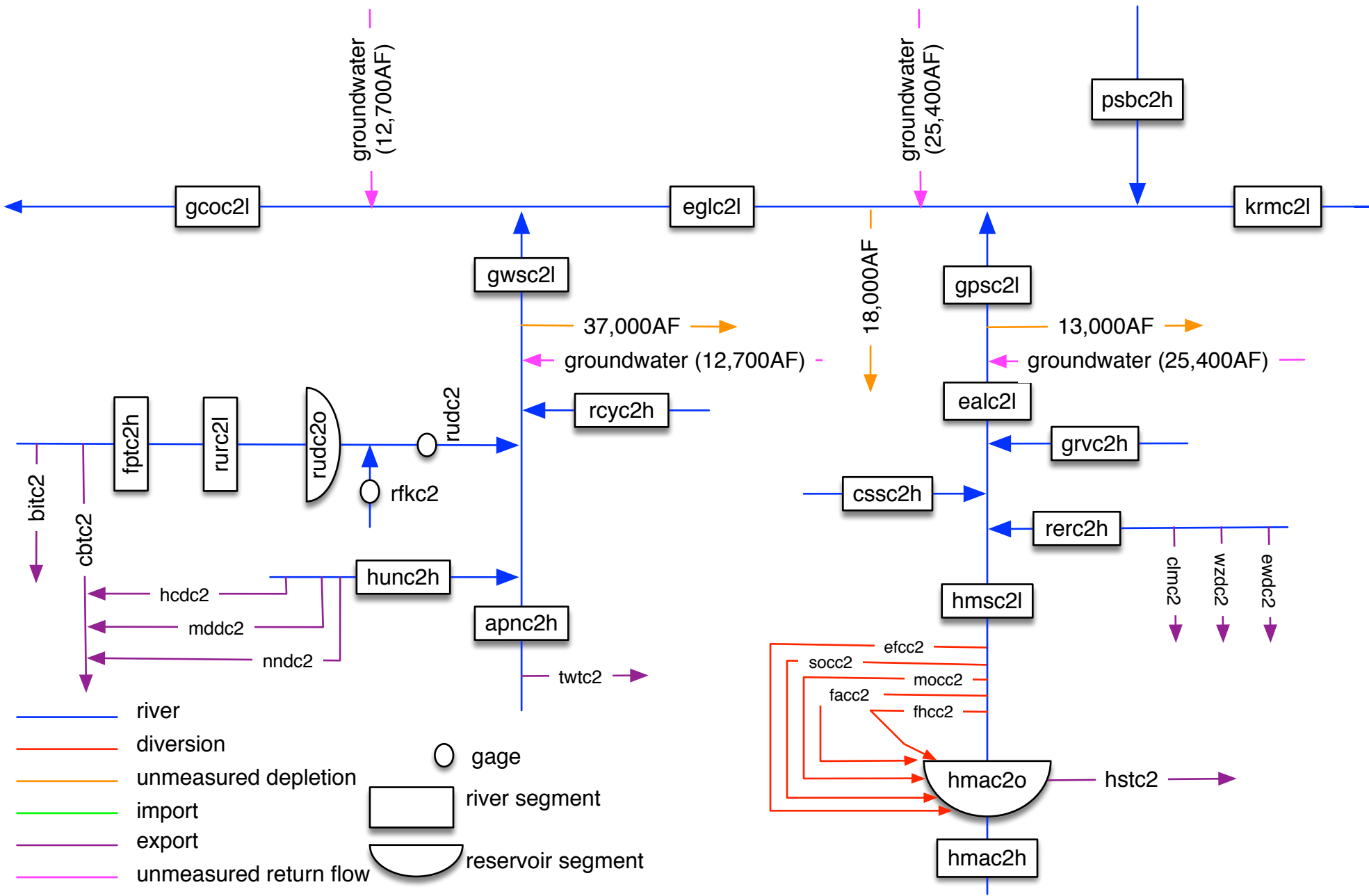


Colorado River Between Kremmling and Glenwood Springs



APNC2 ROARING FORK - ASPEN, NR
BITC2 BUSK-IVANHOE TUN
CBTC2 CHARLES H. BOUSTED TUN
CLMC2 COLUMBINE DITCH
CSSC2 CROSS CK - MINTURN, NR
EALC2 EAGLE - AVON
EFCC2 EAST FORK CREEK DIVERSION
EGLC2 COLORADO - DOTSERO, NR
EWDC2 EWING DITCH
FACC2 FANCY CREEK DIVERSION
FHCC2 FRENCH CREEK DIVERSION
FPTC2 FRYING PAN - THOMASVILLE, NR
GCOC2 COLORADO - GLENWOOD SPRINGS, BLO
GPSC2 EAGLE - GYPSUM, BLO
GRVC2 GORE CK - VAIL, RED SANDSTONE CK, ABV
GWSC2 ROARING FORK - GLENWOOD SPRINGS
HCDC2 HUNTER CK DIV
HMAC2 HOMESTAKE CK - HOMESTAKE RES
HMSC2 HOMESTAKE CK - GOLD PARK
HSTC2 HOMESTAKE TUN
HUNC2 HUNTER CK - ASPEN, NR
KRMC2 COLORADO - KREMMLING, NR
MDDC2 MIDWAY DIV
MOCC2 MISSOURI CREEK DIVERSION
NNDC2 NO NAME DIV
PSBC2 PINEY - STATE BRIDGE, NR
RCYC2 CRYSTAL - REDSTONE, NR, AVALANCHE CK, ABV
RERC2 EAGLE - REDCLIFF
RFKC2 ROCKY FORK CK - MEREDITH, NR
RUDC2 FRYING PAN - RUEDI, NR
RURC2 FRYING PAN - RUEDI RES, BASALT, NR
SOCC2 SOPRIS CREEK DIVERSION
TWTWC2 TWIN LAKES TUN
WZDC2 WURTZ DITCH